

durables™

Classic Vinyl Stair Railing

Installation Guide

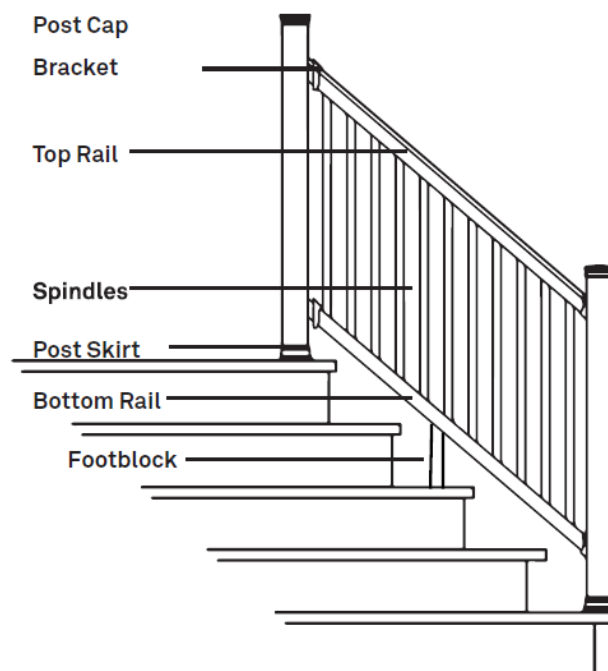
THE BEST CHOICE FOR STRONG & DURABLE RAILING SYSTEMS

Our exclusive manufacturing process ensures our vinyl railing will provide superior strength plus it is virtually maintenance free. This guide will help make your installation easy. For questions, please call 1-866-719-5782 and welcome to Durables™.

Please note:

It is the responsibility of the installer to conform to local building codes and safety requirements. It is also the installer's responsibility to obtain all necessary building permits. These instructions are guidelines and do not cover every installation scenario.

Separate instructions are included for railing brackets. If purchasing post mounts, specific instructions will be included within the packaging. Review all instructions before starting railing installation. The installer may need to modify the exact installation method to meet unique site requirements. Durables™ or its distributors shall not be held liable for improper or unsafe installations.

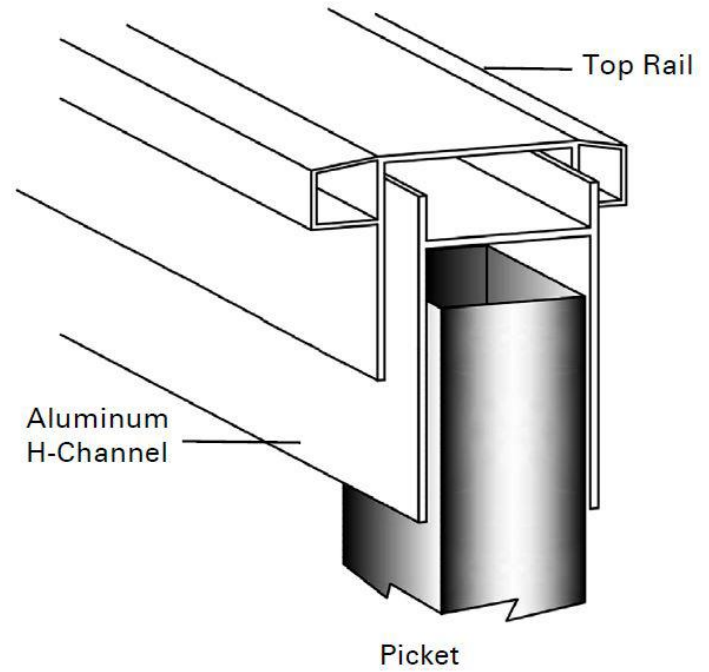


Note:

Classic stair brackets can accommodate angles of 28°-42°.

Installation Tips:

1. Since you are installing at an angle the actual width of the stair section will be less than the length of the rails.
2. When cutting material for installation, double check all measurements before cutting.
3. The bracket kits include two different size screws. The 1-1/2" screws are used to install the bracket to the post. The 1" screws are used to attach the rail to the bracket.
4. If you are using an optional post mount, use the 1" screws that come with the post mounting hardware to install the brackets.
5. While marking the angle on the bottom rail, ensure the pickets are equally spaced from each post.
6. A miter saw with high tooth count carbide blade can be used to cut the vinyl and aluminum at the same time. Cut slowly and use all safety precautions.
7. Before installing the rails, ensure the aluminum is seated into the vinyl rail properly. The large opening of the H-channel should be towards the pickets.
8. For some installations, the post at the bottom of the stairs may need to be taller.
9. The foot block provided is 10 in. long and can be cut down to suit your installation.



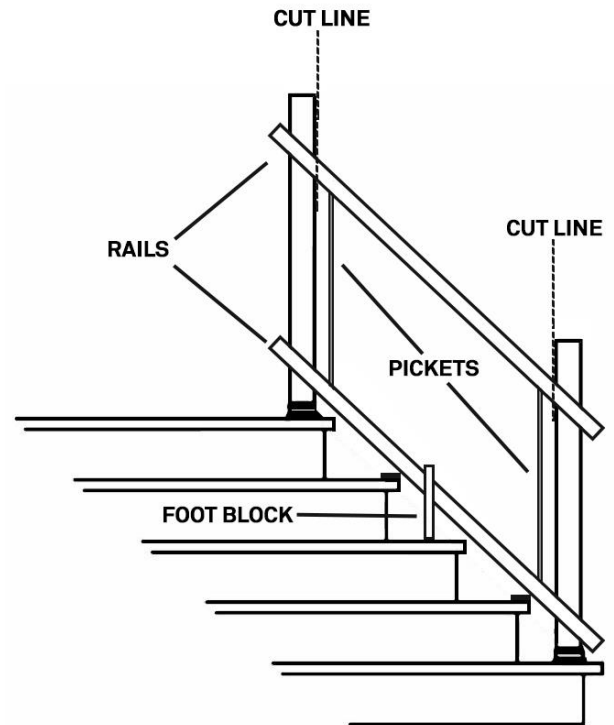
Recommended Tools:

- Safety Glasses
- Level
- Tape Measure
- Miter saw with high tooth count carbide blade
- Rubber Mallet
- Power Drill
- Phillips Drive Bit
- Quick Clamp Grips

Section 1

These instructions are designed to be supplemental; review all instructions with the brackets before starting installation.

1. Level and plumb posts and install optional post skirt before installing railing sections.
2. Place a 1" spacer on the step closest to the bottom post and another on the step closest to the top post. Assure they sit at the nose of the step and are secured so they will not slide.
3. Place the bottom rail alongside the posts on top of the 1" spacers. The stair brackets can accommodate angles between 28° and 42°.
4. Install one picket on each end of the bottom rail closest to the posts. Next, set the top rail in place ensuring the larger opening of the H-channel aluminum insert faces the pickets.
5. Lightly clamp the top and bottom rails to the post at the bottom of the stairs so that the section stays in place.
6. Adjust the railing section to ensure there is equal space between the pickets and the post on each end. Measure the distance between the post and the first picket at the top and the bottom of the railing section to ensure the picket is straight.
7. Using a pencil, place a mark on the rails where the post and rails intersect.
8. Place the foot block on the step next to the rail aligning it with the single routed hole on the bottom of the rail.
9. Place a pencil mark on the foot block along the top of the bottom rail.
10. Measure 1/8" down from the pencil mark and make a second mark. Then cut the foot block on the second mark, being sure to follow the angle of the bottom rail.
11. Remove the panel and disassemble it.
12. Cut the vinyl rails at the mark, assuring that the aluminum insert is cut to the same length and angle

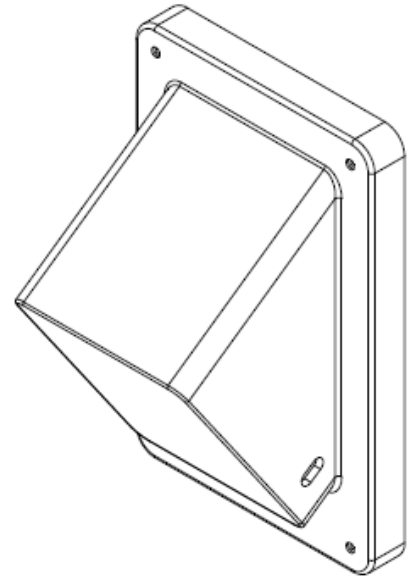


Stair Railing Installation Guide

durables™

Section 2

1. Insert the foot block into the routed hole on the bottom rail.
2. Slide the brackets on to each end of the bottom rail, ensuring the back of the bracket is facing the posts.
3. Position the bottom rail between the posts, on top of the spacers.
4. Center the brackets and secure them to the post, screwing the 1 1/2" screws into the holes on the bracket. Be sure that you do not overtighten the screws.
5. Fasten the bottom rail to the brackets using the 1" screws provided.



Section 3

1. Insert the pickets down through the routed holes in the bottom rail.
2. Slide the brackets on to each end of the top rail, ensuring the back of the bracket is facing the posts.
3. Holding the top rail at an upward angle, slowly line the pickets up with the routed holes in the top rail while lowering the rail into place.
4. Center the brackets and secure them to the post, screwing the 1 1/2" screws into the holes on the bracket. Be sure that you do not overtighten the screws.
5. Next, fasten the top rail to the brackets using the 1" screws provided.
6. Finally, install the hole plugs and screw caps onto the brackets.
7. If needed, reduce the post height and install the post caps

