

# **durables™**

**Classic Vinyl Railing**

**Installation Guide**

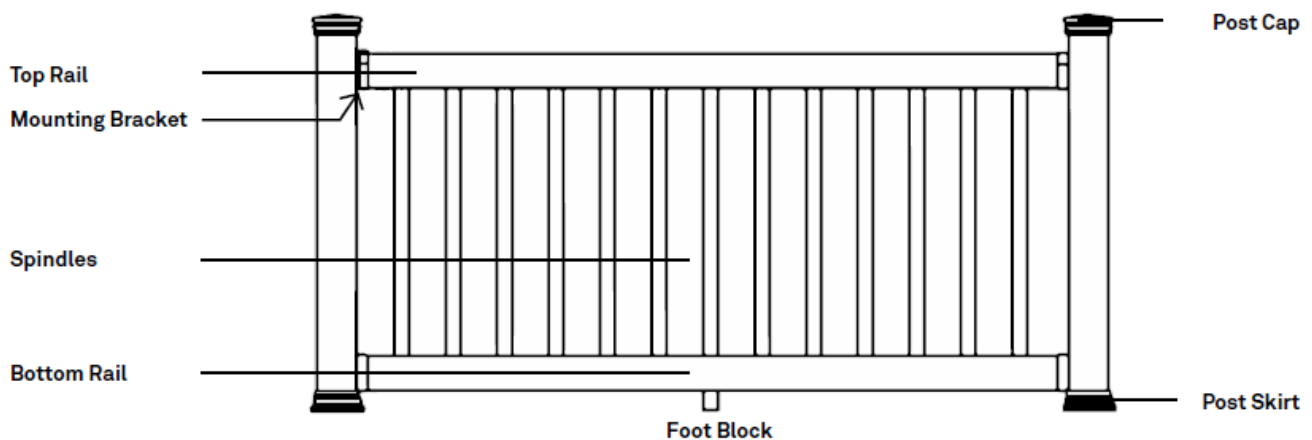
## THE BEST CHOICE FOR STRONG & DURABLE RAILING SYSTEMS

Our exclusive manufacturing process ensures our vinyl railing will provide superior strength plus it is virtually maintenance free. This guide will help make your installation easy. For questions, please call 1-866-719-5782 and welcome to Durables™.

### Please note:

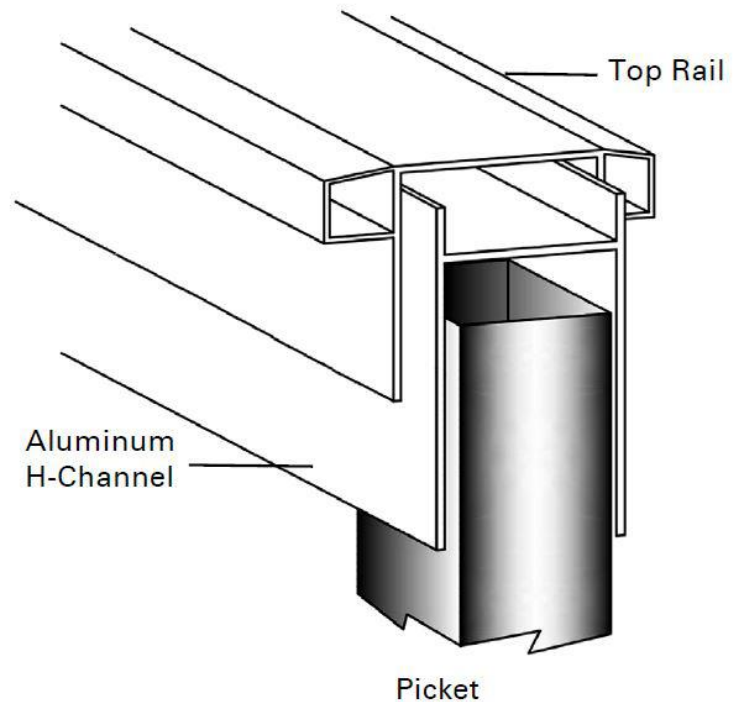
It is the responsibility of the installer to conform to local building codes and safety requirements. It is also the installer's responsibility to obtain all necessary building permits. All of our classic straight vinyl railing sections 8 ft. long and below meet IRC codes.

These instructions are guidelines and do not cover every installation scenario. Separate instructions are included for railing brackets. If purchasing post mounts, specific instructions will be included within the packaging. Review all instructions before starting railing installation. The installer may need to modify the exact installation method to meet unique site requirements. Durables™ or its distributors shall not be held liable for improper or unsafe installations.



## Installation Tips:

1. A miter saw with high tooth count carbide blade can be used to cut the vinyl and aluminum at the same time. Cut slowly and use all safety precautions.
2. Before installing the rails, ensure the aluminum is seated into the vinyl rail properly. The large opening of the H-Channel should be towards the picket holes.
3. The bracket kits include two different size screws. The 1-1/2 in. screws are used to install the mounting bracket to the post. The 1 in. screws are used to attach the rail to the mounting bracket.
4. If you are using an optional post mount, use the 1 in. screws that come with the post mounting hardware to install the black mounting brackets.
5. If your installation requires that the rails be cut, be sure to double check all measurements before cutting.
6. Do not overtighten the screws. When using a vinyl sleeve or vinyl wrap, there will be a small gap between the wood and vinyl. If you over tighten the screws, the vinyl will not be a flat surface and gaps may appear between the post and bracket.
7. The foot block provided is 8 in. long and can be cut down to suit your installation.



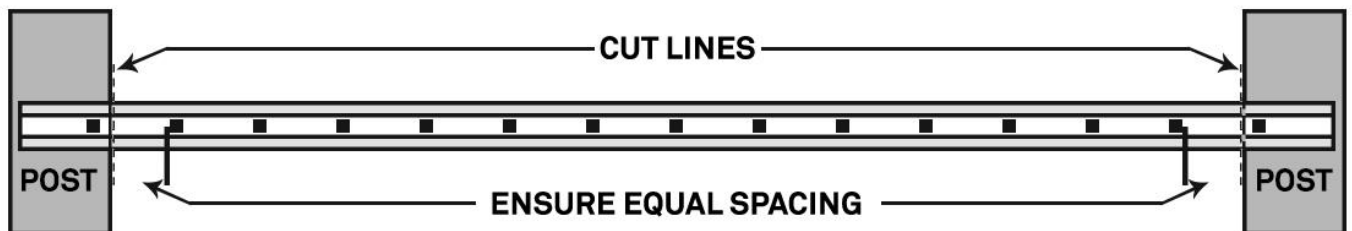
## Recommended Tools:

- Safety Glasses
- Level
- Tape Measure
- Miter saw with high tooth count carbide blade
- Rubber Mallet
- Power Drill
- Phillips Drive Bit

## Section 1

These instructions are designed to be supplemental; review all instructions with the brackets before starting installation.

1. Level and plumb posts and install optional post skirt before installing railing sections. It's important that the post skirts are in place prior to installing the railing sections. Since they are one piece they cannot be added after the railing is installed.
2. Measure the distance between posts to determine the width of your rails.



3. If cutting down the rails, subtract an equal amount from each end. This will keep the pickets centered.

Example: If you have a 72" railing section and the space between the posts is 68", you will want to place a cut mark 2" from each end of the rail.

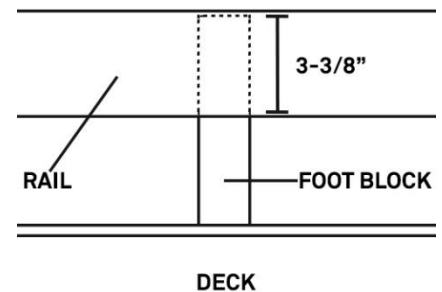
4. If the cut mark is on a picket hole, adjust the position of your cut lines accordingly.
5. Mark both the top and bottom rails to the same length and confirm that the picket holes line up before cutting the rail.
6. Cut the vinyl rails and the aluminum inserts to the same length. Be sure to cut slowly and use all safety precautions

## Section 2

1. Determine the distance between the deck and the bottom rail. This is typically 2", which allows the finished rail height to be 36" for 36" tall railing and 42" to be 42" for our 42" tall railing.
2. Cut the foot block to size by adding 3-3/8" to the distance between the deck and the bottom rail.

Example: If the distance between the deck and the bottom rail is 2", your foot block would be cut to 5-3/8".

3. Insert the foot block into the routed hole on the bottom rail.



# Railing Installation Guide

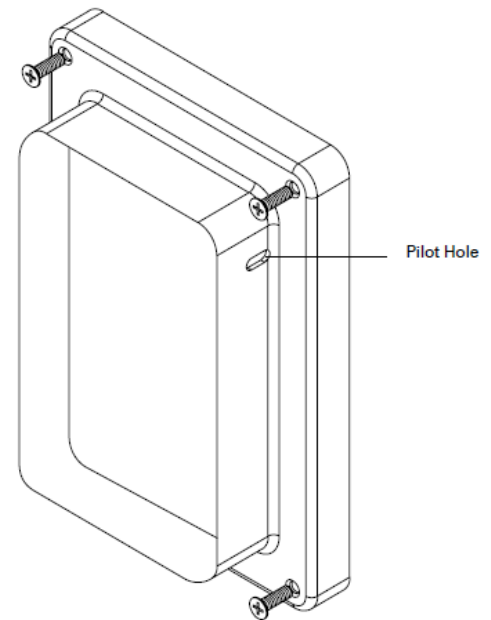
**durables™**

## Section 3

1. Slide the brackets on to each end of the bottom rail, ensuring the back of the bracket is facing the posts.
2. Position the bottom rail between the posts, placing a 2" tall block under each side of the railing section to ensure the railing is installed straight.
3. Center the brackets and secure them to the post by inserting the 1 1/2" screws into the holes on the bracket. Be sure that you do not overtighten the screws.
4. Fasten the bottom rail to the brackets using the 1" screws provided.

### Note:

For the top rail, assure that the pilot holes on the bracket are positioned towards the top of the rail. Likewise, for the bottom rail, assure that the pilot holes on the bracket are positioned towards the bottom of the rail.



## Section 4

1. Insert the pickets down through the routed holes in the bottom rail.
2. Slide the brackets on to each end of the top rail, ensuring the back of the bracket is facing the posts.
3. Ensuring the larger opening of the aluminum H channel is facing downward toward the pickets, hold the top rail at an upward angle, and slowly line the pickets up with the routed holes in the top rail while lowering the rail into place.
4. Center the brackets on the post and secure them by inserting the 1 1/2" screws into the holes on the bracket. Be sure that you do not overtighten the screws.
5. Fasten the top rail to the brackets using the 1" screws provided.
6. Install the hole plugs and screw caps onto the brackets.
7. If needed, reduce the post height and install the post caps.

